

产品规格书

批准	审核	校核	编制
纪春华	朴致均	赵宇辉	郑羿
2018.11.08	2018.11.08	2018.11.08	2018.11.08

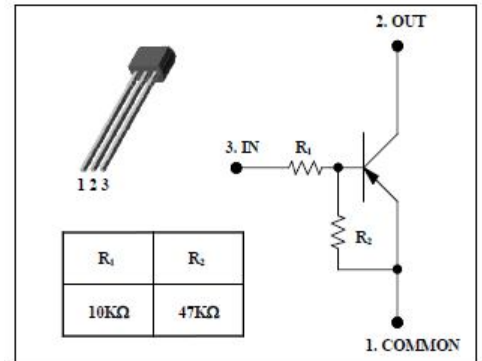
规格书更改履历:

序号	更改内容	履历号	更改时间	责任人
1	新规制定	000	2017.07.25	郑羿
2	增加封皮/决裁限	001	2018.11.08	郑羿

Descriptions

- Switching application
- Interface circuit and driver circuit application

PIN Connection



Features

- With built-in bias resistors
- Simplify circuit design
- Reduce a quantity of parts and manufacturing process
- High packing density

Ordering Information

Type NO.	Marking	Package Code
KRA2207M	2207 YWW.	TO-92M

• Dalian

Absolute maximum ratings

($T_a=25^\circ\text{C}$)

Characteristic	Symbol	Ratings	Unit
Output voltage	V_o	-50	V
Input voltage	V_i	-30, 6	V
Output current	I_o	-100	mA
Power dissipation	P_b	400	mW
Junction temperature	T_j	150	$^\circ\text{C}$
Storage temperature range	T_{stg}	-55~150	$^\circ\text{C}$

Electrical Characteristics

($T_a=25^\circ\text{C}$)

Characteristic	Symbol	Test Condition	Min.	Typ.	Max.	Unit
Output cut-off current	$I_{o(OFF)}$	$V_o=-50V, V_i=0$	-	-	-500	nA
DC current gain	G_i	$V_o=-5V, I_o=-10mA$	80	150	-	-
Output voltage	$V_{o(ON)}$	$I_o=-10mA, I_i=-0.5mA$	-	-0.1	-0.3	V
Input voltage (ON)	$V_{i(ON)}$	$V_o=-0.2V, I_o=-5mA$	-	-	-1.8	V
Input voltage (OFF)	$V_{i(OFF)}$	$V_o=-5V, I_o=-0.1mA$	-0.5	-	-	V
Transition frequency	f_t^*	$V_o=-10V, I_o=-5mA, f=1MHz$	-	200	-	MHz
Input current	I_i	$V_i=-5V, I_o=0$	-	-	-0.88	mA
Input resistor (Input to base)	R_1	-	7	10	13	K Ω
Input resistor (Base to common)	R_2	-	33	47	61	K Ω

* : Characteristic of transistor only

Electrical Characteristic Curves

Fig. 1 $P_c - T_a$

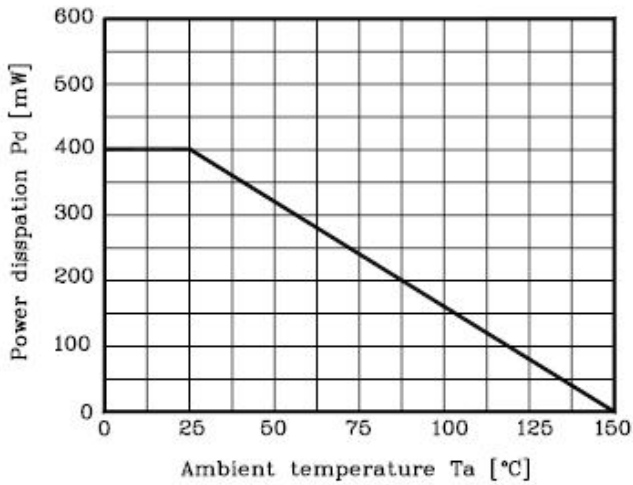


Fig. 2 $I_o - V_{I(ON)}$

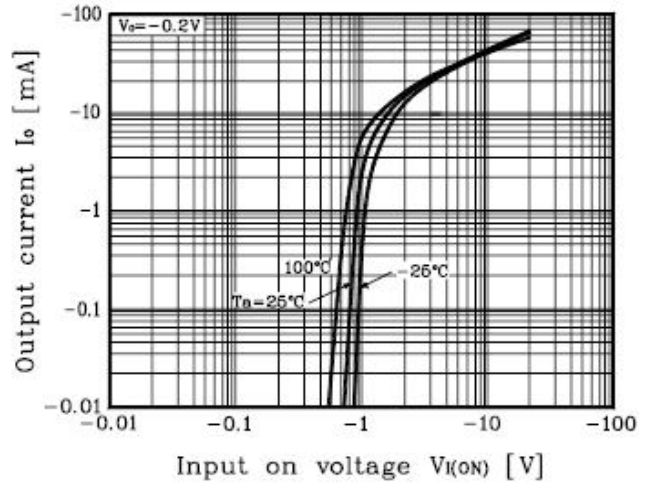


Fig. 3 $I_o - V_{I(OFF)}$

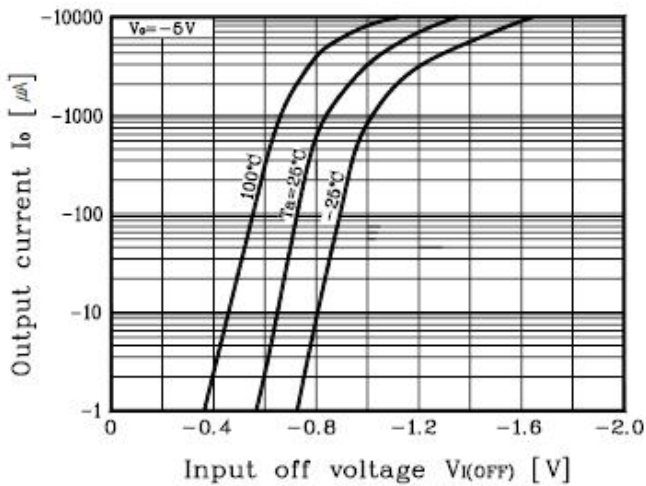
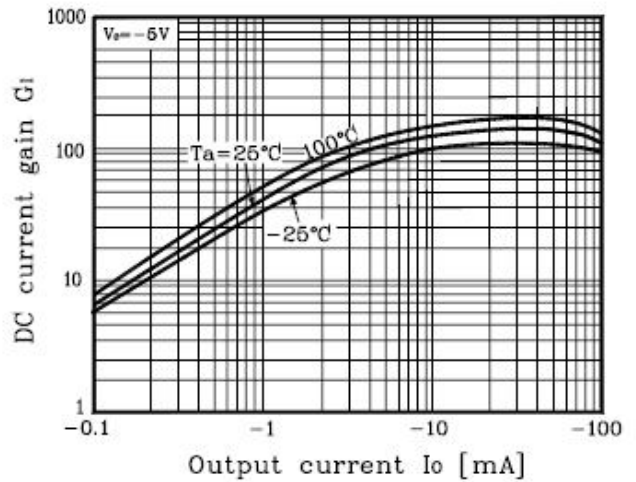
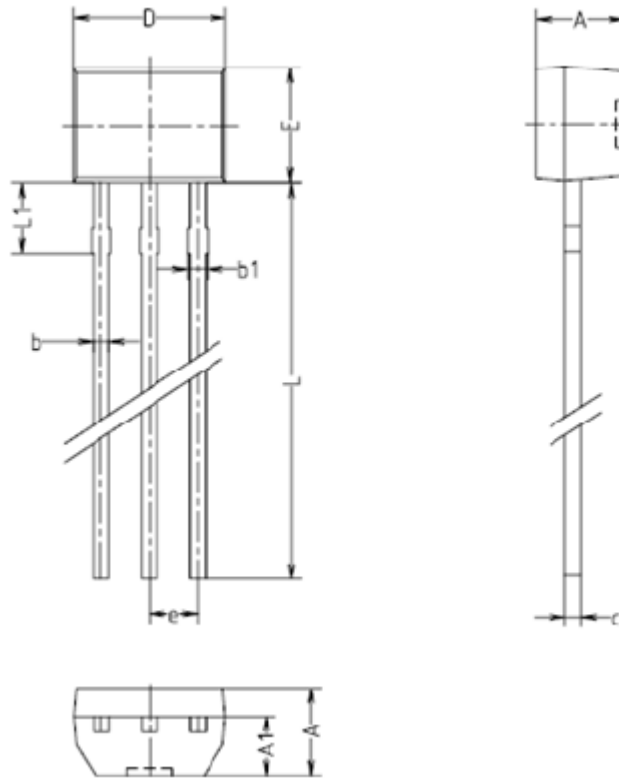


Fig. 4 $G_I - I_o$



Outline Dimension



SYMBOL	TO-92M		
	MINIMUM	NOMINAL	MAXIMUM
A	2.25	2.30	2.35
A1	1.50	1.55	1.60
b	0.40	0.42	0.44
b1	0.40	—	0.50
c	0.40	0.42	0.44
D	3.93	4.00	4.07
E	2.93	3.00	3.07
e	1.17	1.27	1.37
L	14.30	14.50	14.70
L1	2.05	2.15	2.25

The AUK Dalian Corp. products are intended for the use as components in general electronic equipment (Office and communication equipment, measuring equipment, home appliance, etc.).

Please make sure that you consult with us before you use these AUK Dalian Corp. products in equipments which require high quality and / or reliability, and in equipments which could have major impact to the welfare of human life(atomic energy control, airplane, spaceship, transportation, combustion control, all types of safety device, etc.). AUK Dalian Corp. cannot accept liability to any damage which may occur in case these AUK Dalian Corp. products were used in the mentioned equipments without prior consultation with AUK Dalian Corp..

Specifications mentioned in this publication are subject to change without notice.